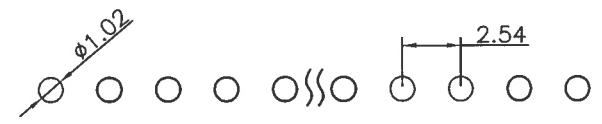
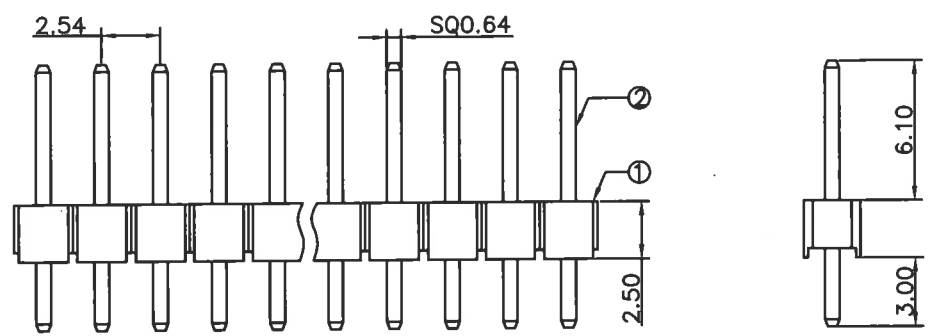
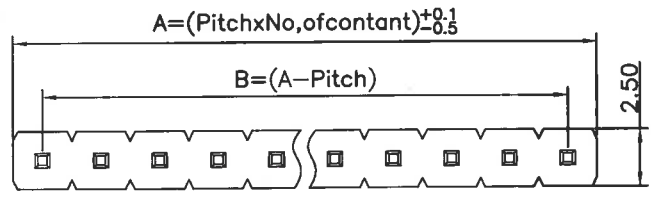
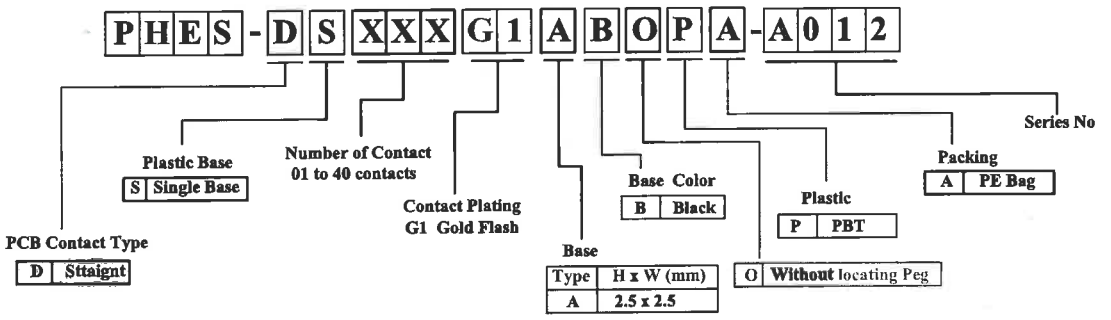


REV.	DESCRIPTION	DATE
A0	New Drawing	2008/0



LTR	Part Name	Material	Description
1	Housing	PBT UL94V-0	200°C for 20 Seconds. Initial : 1000M Ohms Min. After Test : 500M Ohms Min.
2	Contact	Brass C2600	Current Rating : 3.0A Initial : 20m Ohms Max. After Test : 40m Ohms Max.

Normal Force : 800 Grams Average .  
Temperature Rating : -40°C ~ +125°C .  
Dielectric Withstanding Voltage : 1000V AC/Min



L=11.6 mm

RoHS compliant



SchmartBoard, Inc.  
925-362-0799  
info@schmartboard.com  
www.schmartboard.com  
www.facebook.com/facebook  
http://forum.schmartboard.com