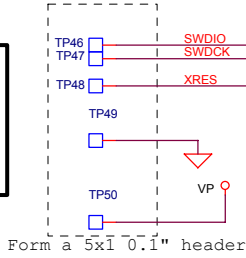
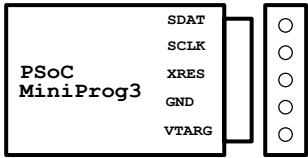


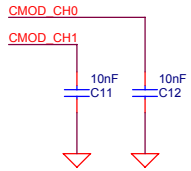
Boost Converter

Enable		Optional Boost Converter Enabled: Install L1, connect supply across VBAT(TP4,TP5), connect TP1 and TP2 and populate D1 if VP (Output Voltage) > 3.6V
TP1	VBAT	
TP2		
TP3	TP5 TP4	
Disable		Optional Boost Converter Disabled: Connect TP2 to TP3 and TP4 to TP5
TP1	VBAT	
TP2		
TP3	TP5 TP4	

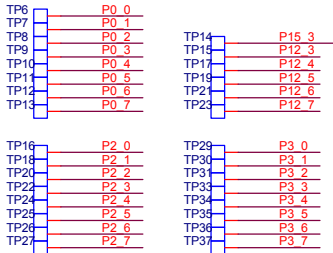
Program Debug Header



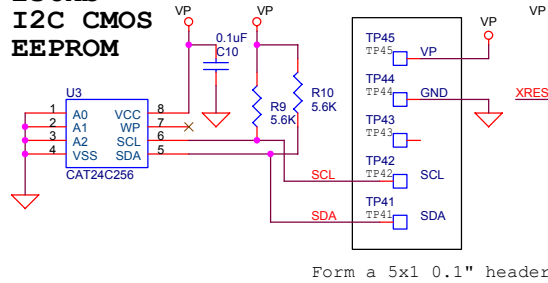
CMOD CAPS



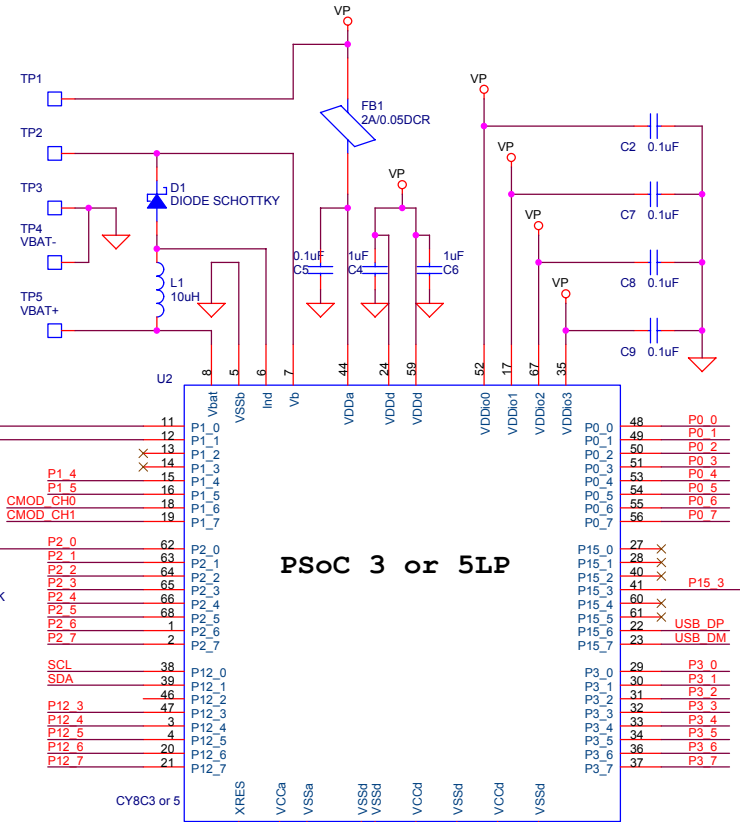
PORTS



256kb I2C CMOS EEPROM

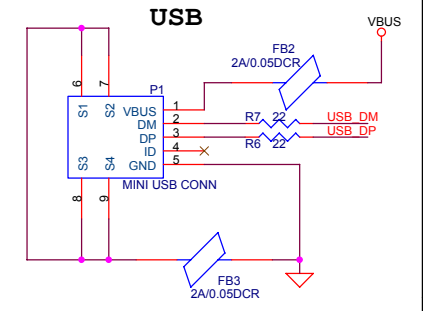


Form a 5x1 0.1" header

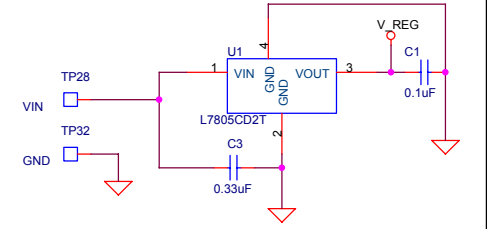


PSoc 3 or 5LP

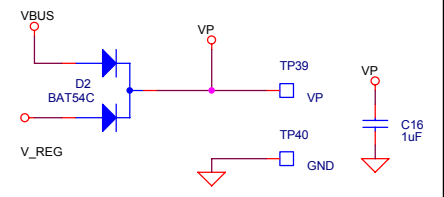
CY8C3 or 5



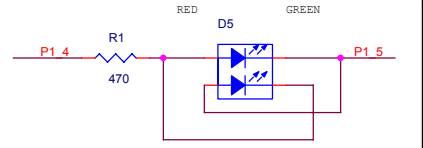
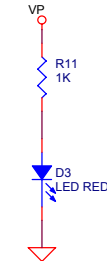
POWER



Protection



Power LED



BI-COLOR LED

Title Schmartboard PSoc Module		
Size	Document Number Model# 710-008-001	Rev 2
Date:	Tuesday, November 19, 2013	Sheet 2 of 2