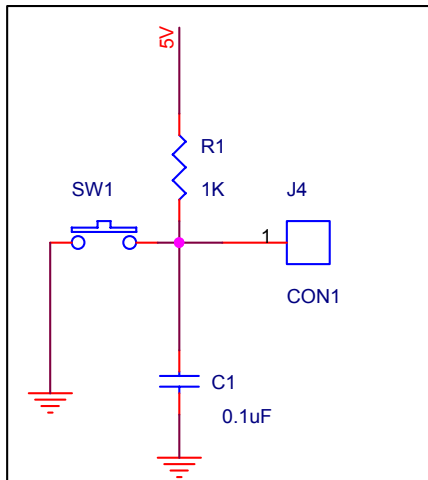
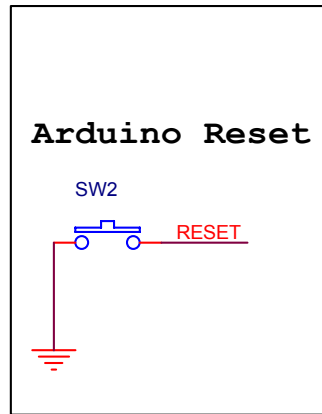


LED indicator #1

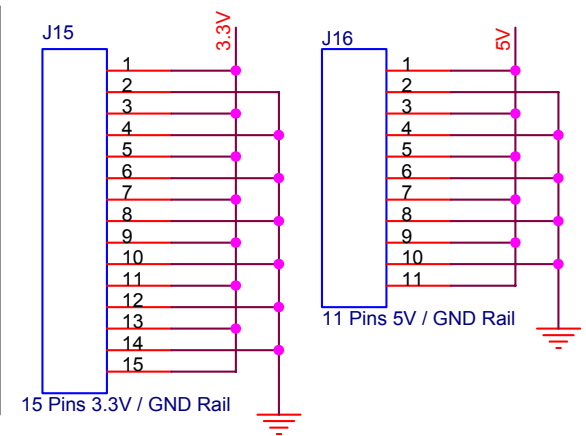
LED indicator #2



Optional Reset



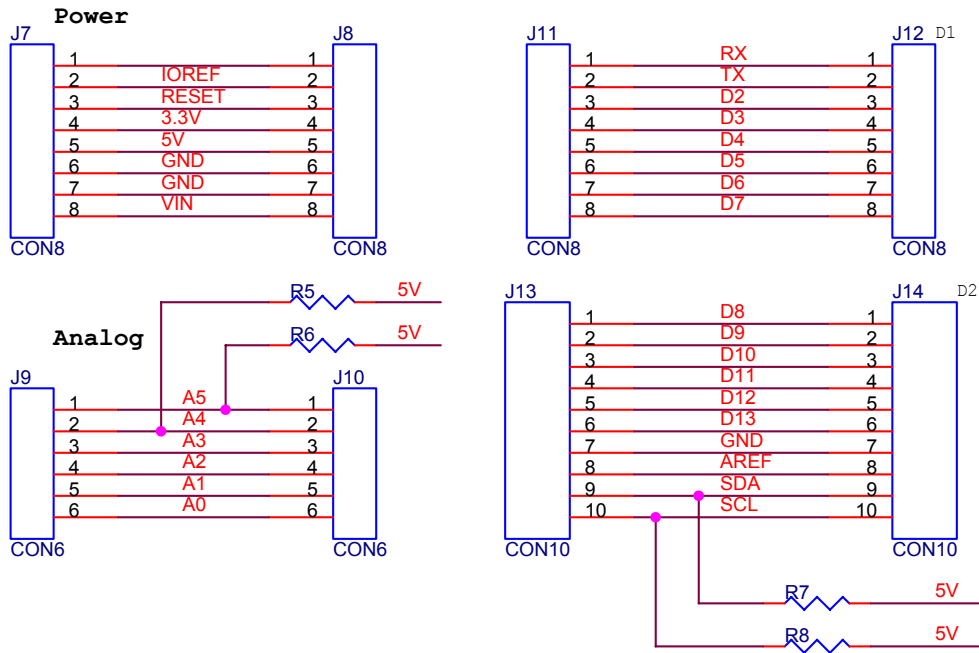
Arduino Reset



15 Pins 3.3V / GND Rail

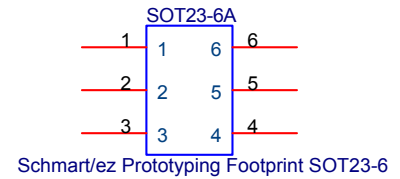
11 Pins 5V / GND Rail

Arduino connectors

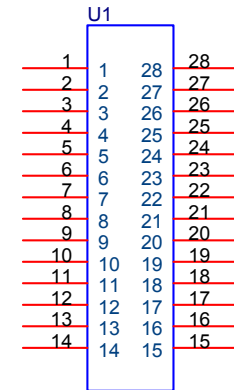


R5/R6/R7/R8: 0603 footprints for adding optional pullup resistors for I2C.

Prototyping Footprint



SOT23-6



SOIC 28 PINS 0.65MM
0.65mm Pitch SOIC 28 Pins

SCHMARTBOARD		
Title SchmartShield for Arduino		
Size A	Document Number SchmartShield for Arduino Prototyping Board	Rev A
Date: Thursday, May 24, 2012	Sheet 1 of 1	