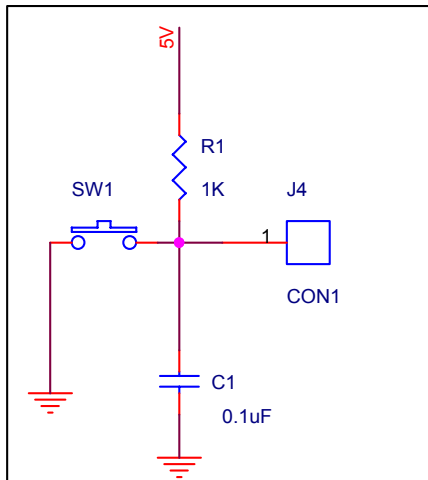
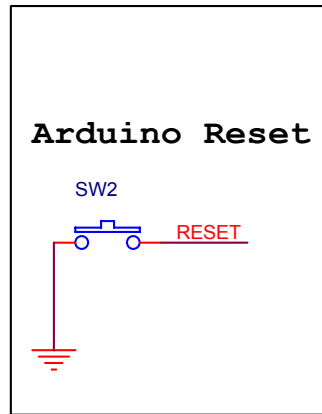


LED indicator #1

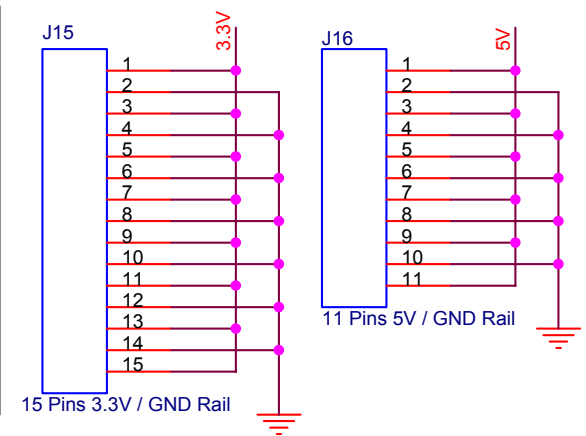
LED indicator #2



Optional Reset



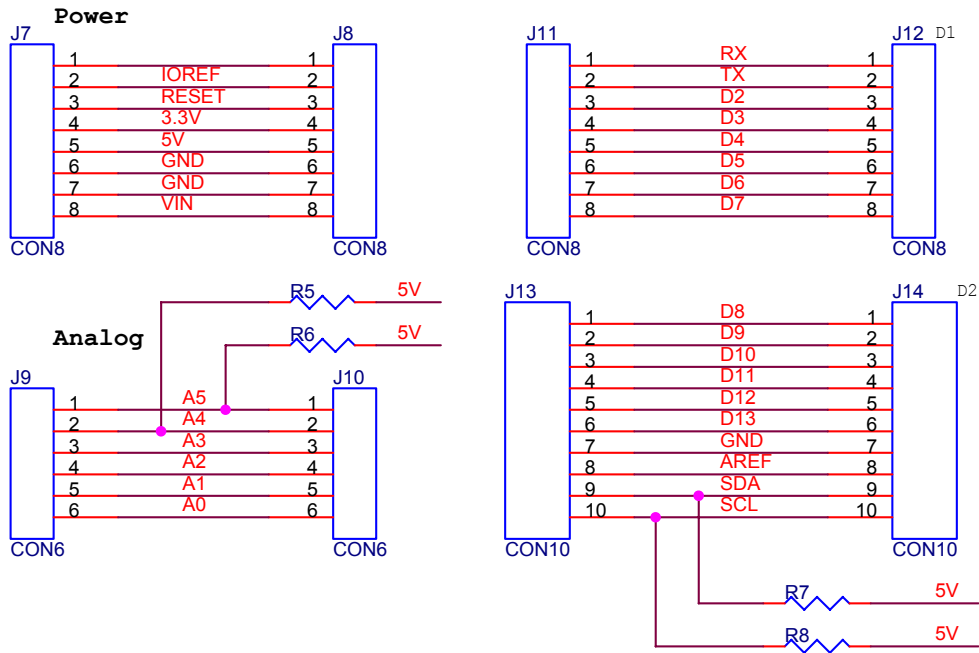
Arduino Reset



15 Pins 3.3V / GND Rail

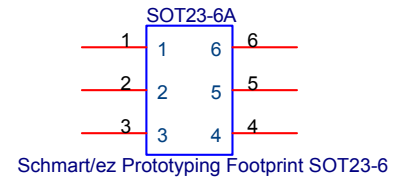
11 Pins 5V / GND Rail

### Arduino connectors

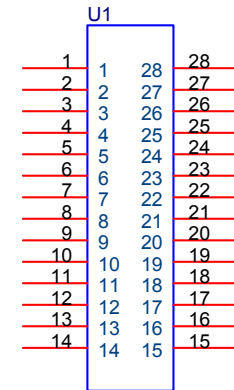


R5/R6/R7/R8: 0603 footprints for adding optional pullup resistors for I2C.

### Prototyping Footprint



SOT23-6



Schmart/ez Prototyping Footprint SOIC 28 PINS 1.27MM

1.27mm Pitch SOIC 28 Pins

|                                    |  |          |
|------------------------------------|--|----------|
| SCHMARTBOARD                       |  |          |
| Title<br>SchmartShield for Arduino |  |          |
| Size<br>A                          | Document Number<br>SchmartShield for Arduino Prototyping Board | Rev<br>A |
| Date:<br>Thursday, May 24, 2012    | Sheet<br>1   | of<br>1  |