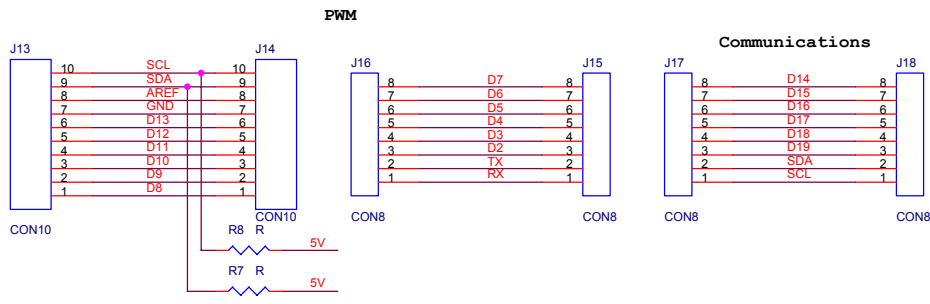
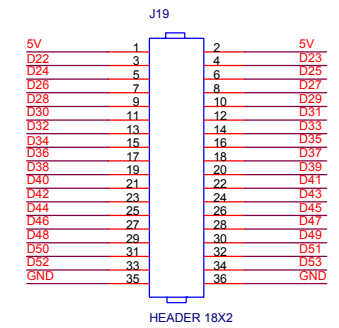
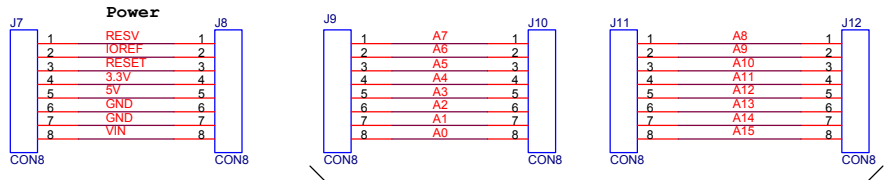


### Arduino connectors



R7/R8: 0603 footprints for adding optional pullup resistors for I2C.



SCHMARTBOARD		
Title SchmartShield for Arduino		
Size B	Document Number SchmartShield for Arduino Prototyping Board	Rev A
Date: Monday, February 25, 2013	Sheet 1	of 1