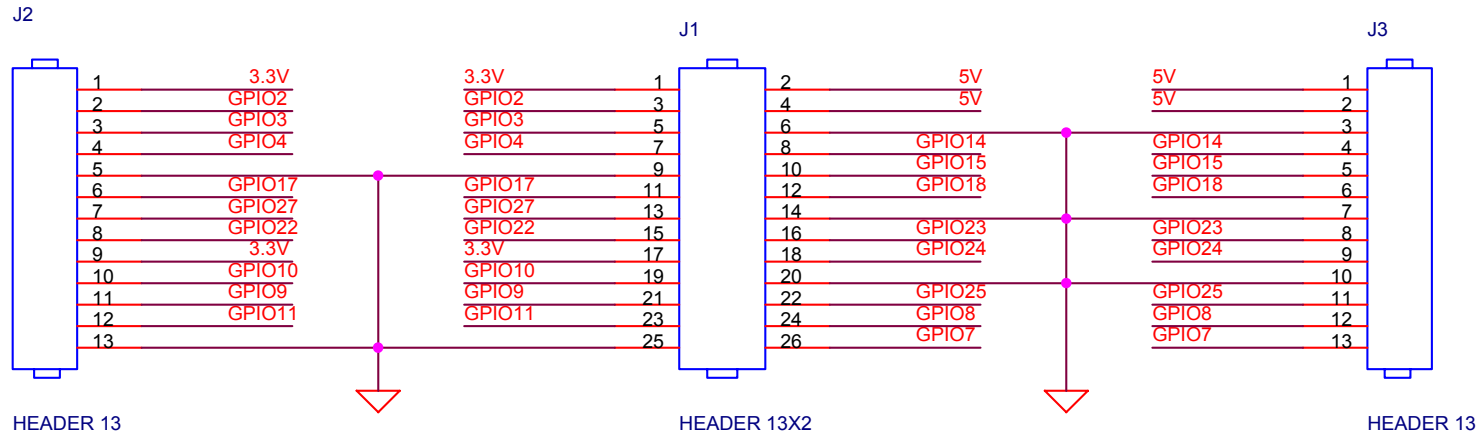
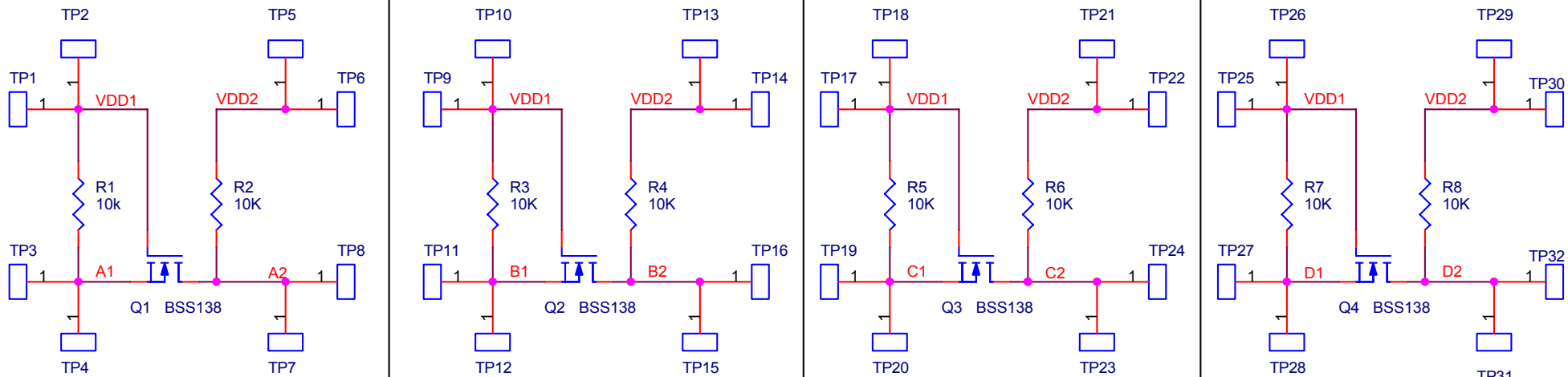


## Raspberry Pi connector



## Level Shifter



Channel 1

Channel 2

Channel 3

Channel 4

Title		
SchmartShield Raspberry Pi		
Size	Document Number	Rev
A	<Doc>	A
Date:	Thursday, February 27, 2014	Sheet 1 of 1