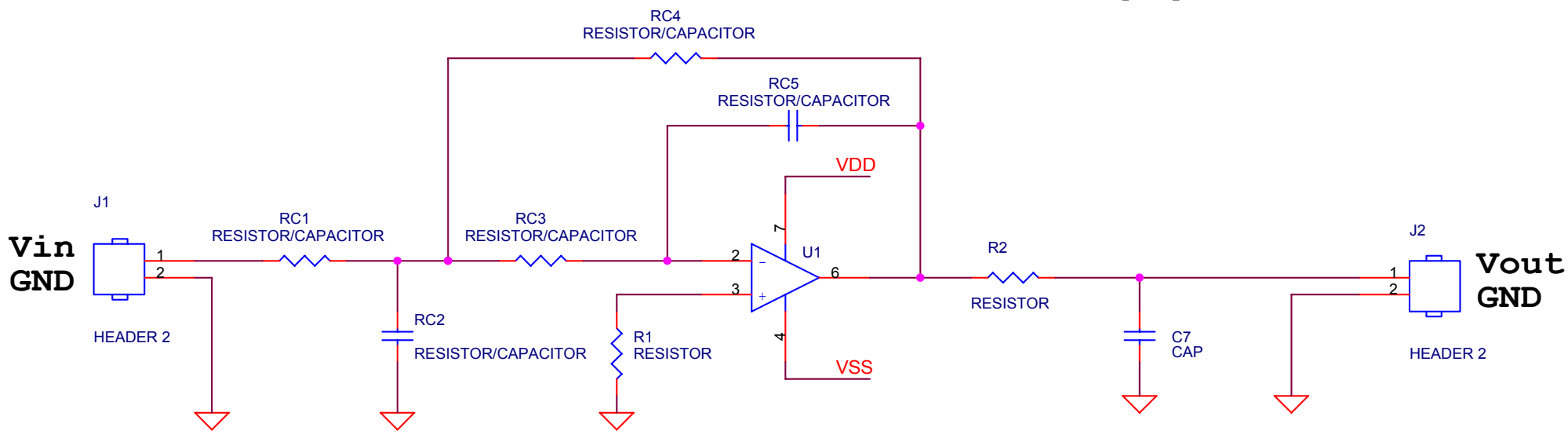


Place C3/C6 closet to opamp, then C2/C5, then C1/C4



Active Filter Board

Components shown as RCx could be either resistor or capacitor, depending on filter type.

"Not for Commercial Use without permission from SchmartBoard Inc."

Title		
SCHMARTBOARD Inc. - Active Filter Board		
Size	Document Number	Rev
A	500-0198-01	A
Date:	Monday, January 25, 2016	Sheet 1 of 1