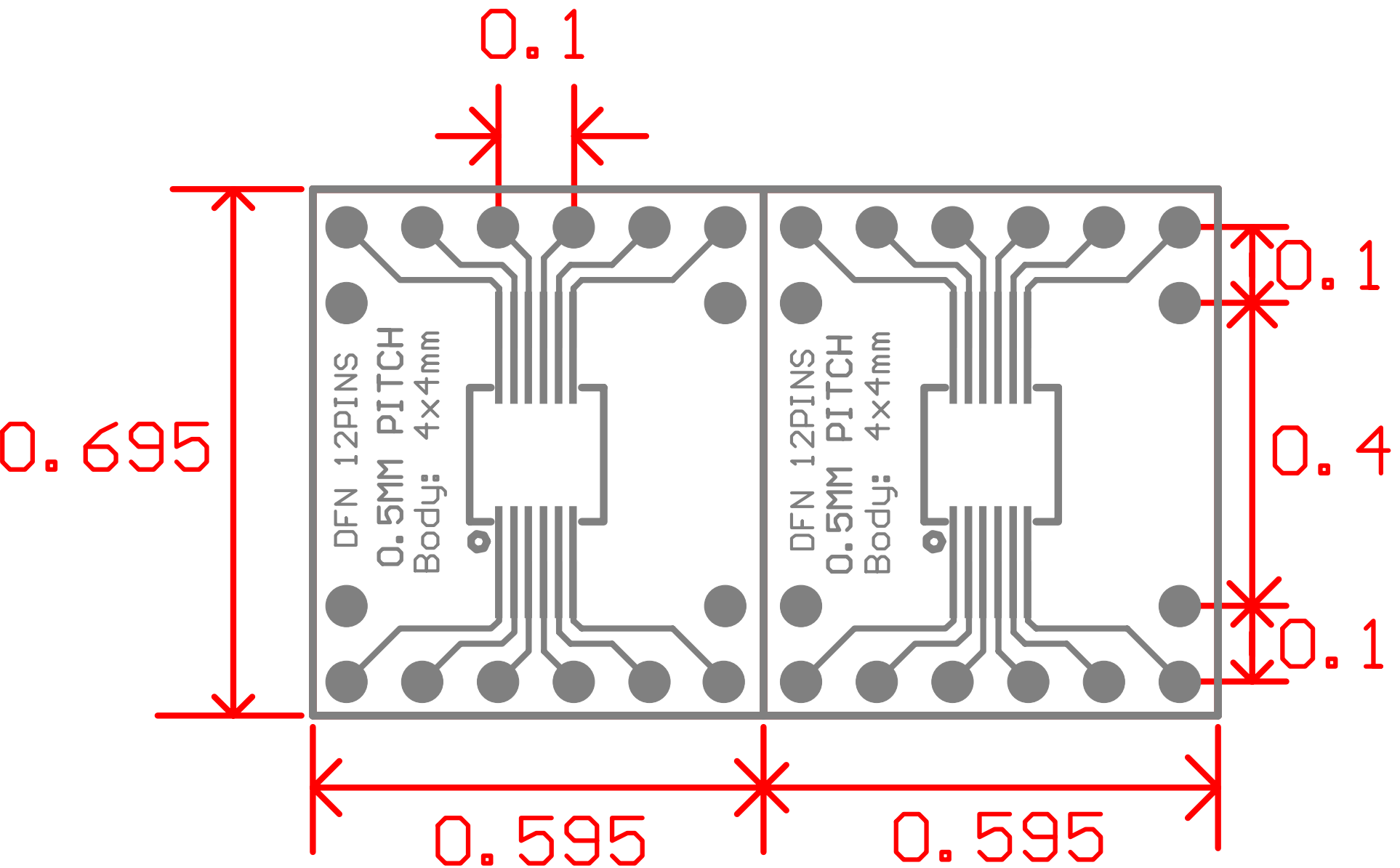


Model # 204-0028-01



All through holes are 0.038

UNIT: Inch