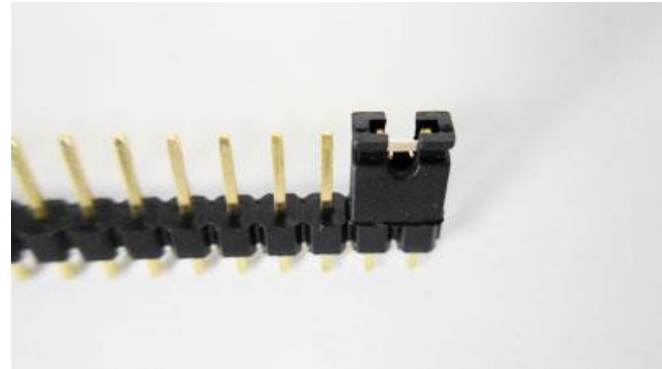
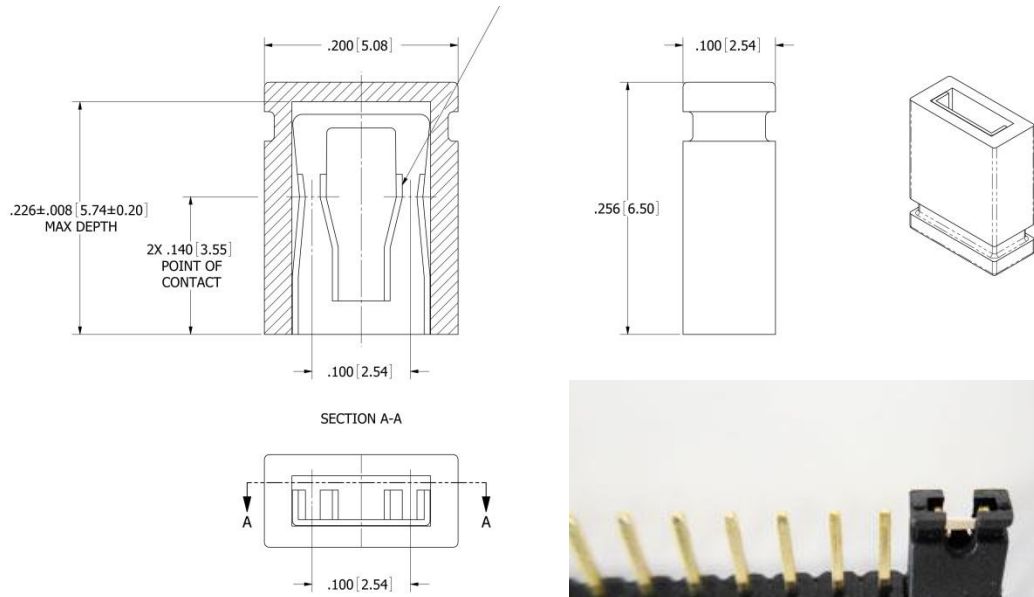


920-0157-50 - Qty. 50 0.1" Shunts



920-0157-50 Qty. 50 0.1" Shunts

Qty. 50 Connector Shunts 0.1 Inch	Open Top, 2 Position, Tin(Header Not Included)
PITCH:	0.100" (2.54mm)
CONTACT FINISH:	Tin
CONTACT FINISH HEIGHT:	100µin (2.54µm)
OPERATING TEMPERATURE:	-55 C TO +105 C.
OPERATING VOLTAGE:	250 Vac. Max. 6. UL Flammability Rating: 94V-0.
DIELECTRIC WITHSTANDING VOLTAGE:	1000 Vac. for 1 Minute.
CURRENT RATING:	3 Amp per Contact.
CONTACT RESISTANCE:	20 Milli Ohms Max.
INSULATION RESISTANCE:	5000 Mega Ohms.

Schmartboard Accessory Family



Schmartboard, Inc.
37423 Fremont Blvd.
Fremont, CA 94536

510-744-9900(P)
510-744-9909(F)
<http://www.schmartboard.com>
<http://www.facebook.com/Schmartboard>
<http://www.twitter.com/Schmartboard>