



SchmartBoard to give away an SMT to DIP Adapter EVERY DAY!

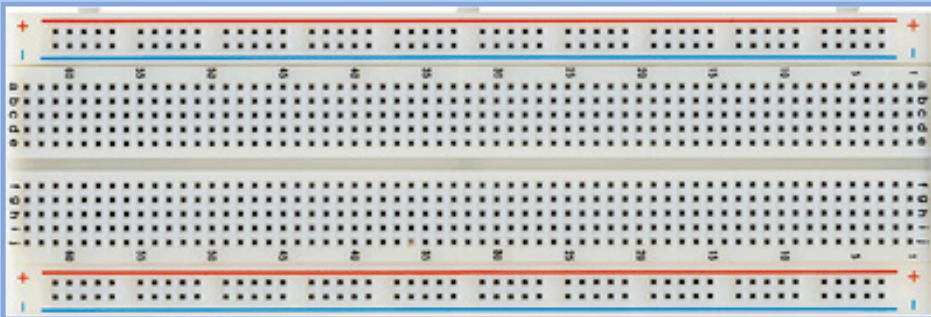
SchmartBoard Strategic Partners



SchmartBoard will give away 1 SMT to DIP adapter everyday to a Facebook fan for the rest of 2011 to introduce this Surface Mount Soldering remedy to the ailing masses. To be eligible you have to "Like" the Facebook SchmartBoard page. Not a Facebook user? You can still win in the contest at the bottom of this page.



Free Breadboards for Everyone!



We have extended this special due to its popularity. During the month of September SchmartBoard will give a breadboard away with every 10 Pack of SchmartBoard|ez products bought on our website. If the part Number begins with "912" or "914", the 10 pack is eligible for this promotion.

The offer is good while supplies last.



New "You Choose" Assortment Packs



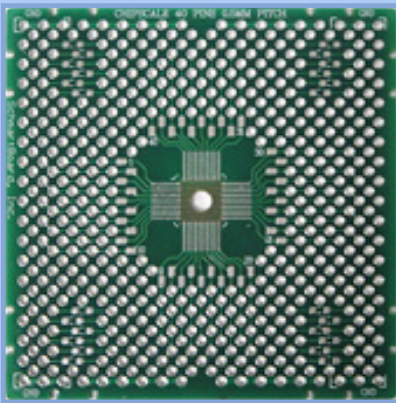
Schmartboard has created a way for you to buy 10 packs of our EZ and non-EZ boards at a 20% discount, but you choose the boards you need, instead of taking 10 of the same type. Buying SchmartBoards is now like buying donuts or bagels but without the calories! They are available for 4 categories: non-ez SchmartBoards, Specialty through hole SchmartBoards, 2" x 2" SchmartBoard|ez boards, & SMT to DIP SchmartBoard|ez boards.

New SchmartBoard Distributors in the Czech Republic and Sarasota Florida



SchmartBoard is happy to announce the availability of SchmartBoards in the Czech Republic and the rest of eastern Europe and the Russian Federation through Brno based A3. A little closer to home, SchmartBoard is now on the shelves of Sarasota Electronics in Sarasota Florida. For those of you who are local, you can walk in and conveniently purchase the SchmartBoard product needed.

New SchmartBoard Product - QFN 40 (.5mm)



Schmartboard has released a new board for a popular component size, QFN 40, 5mm pitch. Some of the chips which use this board include: Linear Technology LTC3880, Renesas R2J20652ANP, Sensor Dynamics SM3255EN, ST Microelectronics STMPE16M31, STMPE24M31 & Texas Instruments: CC2531F128, CC2531F256, CC8520, CC8521, CC8530 & CC8531, TRF3761.

Get Your Free SchmartBoard T-shirt



E-mail us a photo of your SchmartBoard project with a description, your name, address, preferred size (we'll do our best) and that we have permission to post it and we will send you this nifty t-shirt. E-mail photo and required information to neal.greenberg@schmartboard.com.

While supplies last.

New Contest-Win an SMT to DIP Adapter

Important SchmartLinks for you to bookmark:

[SchmartBlog](#)

[Facebook](#)

[YouTube](#)

[Yahoo Group](#)

[Flickr](#)

[Twitter](#)

[LinkedIn](#)

[SchmartBoard, Inc.](#)

[Make Money With Your Website](#)

[SchmartBoard Distributors](#)

[SchmartBoard in the Press](#)

[SchmartBoard Parts Index](#)

[Pick Your PIC](#)

[Have You Tried SchmartSolder?](#)

[Are You New To Electronics?](#)

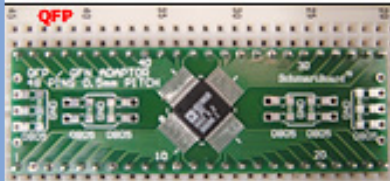
[Help Us Design Our Next Product](#)



Football is here again! "Solder one for the Gipper".



Each month through the end of 2011, we will give away an SMT to DIP adapter of one's choice. You only have to sign up once and will automatically have a chance to win each month. **Sign Up Today!**



This month's winner is **Hristo Petrova Student at Varna Teknik Üniversitesi in Varna, Bulgaria**. According to Hristo: "I'll have access to the newest SM MCUs on the breadboard." He plans to build a "robocontroller".



SchmartBoard now accepts Paypal for online orders. Additionally, we have added the option of USPS Priority Mail for domestic and international shipments. We offer free shipping for domestic and international orders of \$80 or more. Contact info@schmartboard.com for more details.

SchmartBoard, Inc. 111 Deerwood Road, Suite 235, San Ramon, CA 94583

info@schmartboard.com

Phone: 925-362-0799