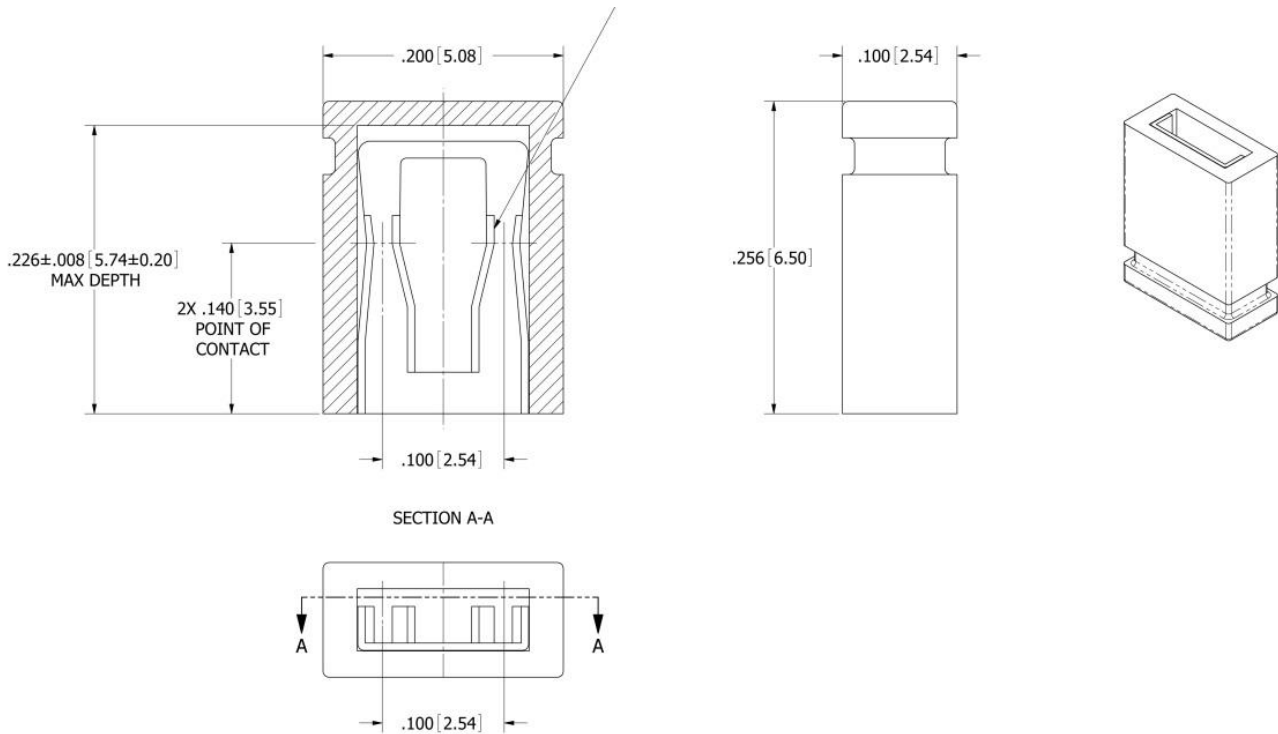


Electronics For Everyone™



SchmartBOARD™



920-0157-01 0.1" Shunt

PITCH:	0.100" (2.54mm)
CONTACT FINISH:	Tin
CONTACT FINISH HEIGHT:	100µin (2.54µm)
OPERATING TEMPERATURE:	-55 C TO +105 C.
OPERATING VOLTAGE:	250 Vac. Max. 6. UL Flammability Rating: 94V-0.
DIELECTRIC WITHSTANDING VOLTAGE:	1000 Vac. for 1 Minute.
CURRENT RATING:	3 Amp per Contact.
CONTACT RESISTANCE:	20 Milli Ohms Max.
INSULATION RESISTANCE:	5000 Mega Ohms.

