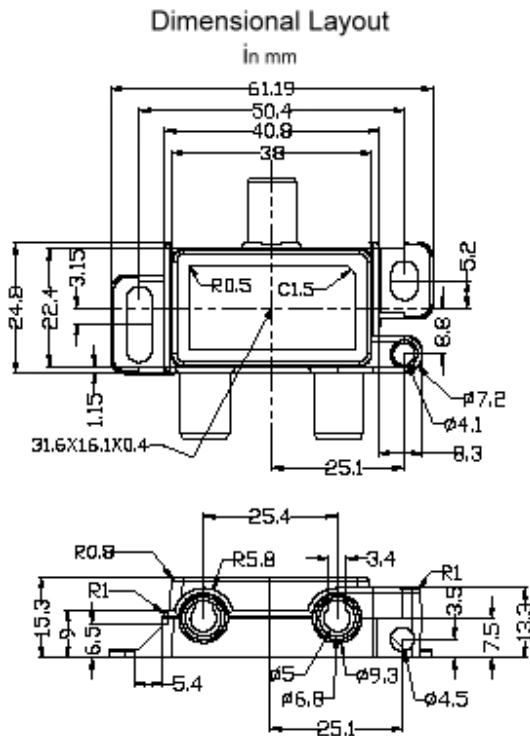


## 301-0003-01



### Product Standard Features:

**Design allows co-existence of Cable TV type programming, networked DVRs & computer accessories over the MoCA network stacked on the same coaxial cable.**

Standard broadband cable TV splitters have an operational bandwidth from 5-1002Mhz. MoCA home networking operational frequencies are 975-1550Mhz. The extended bandwidth SplitBINERS frequency allows MoCA data streams to transmit and receive in a protected upper frequency band.

Patent pending gold plated 340° center conductor seizing insert pins

Tin-plated, zinc die-cast housing with soldered back plate provides -110dB of RFI. All are highly precision machined with SCTE compliant threading and are spaced on 1" centers.

All ports are water sealed and have been tested to withstand 30 psi of internal pressure. All ports comply with all existing SCTE standards.

Built-in NPO capacitors on all ports. All components are temperature hardened. Devices designed to remain stable in environments of -40 to +85° C and maintain all technical specifications.

INPUT PORT SURGE - Pass 6kV 3kA combination wave surge test. As defined in Special magnetism resistant ferrite core material allows ferrites continued operation within designed specifications when high RF levels are applied.

OUTPUT PORTS SURGE - Pass 3kV 100A @ 100khz ring wave surge test. As defined in IEEE C62.41.1991 for cat A3 type device.

**Specifications subject to change without notice.**